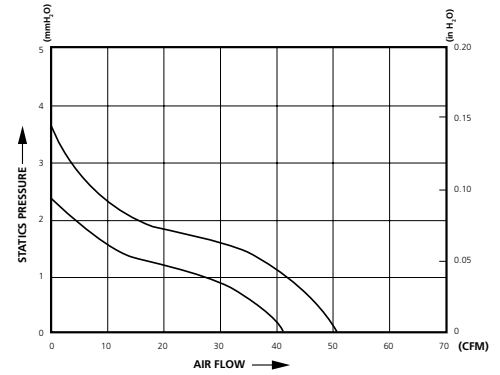
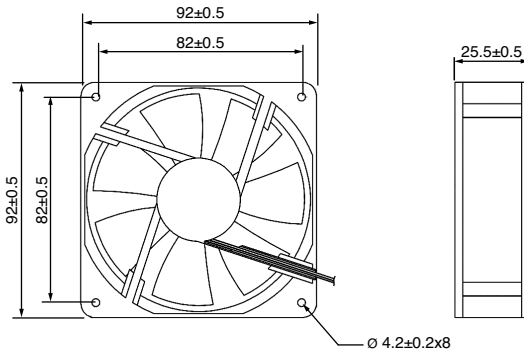


## DC FANS

### 92 x 92 x 25mm (3.62 x 3.62 x 1")



CFA249225MS

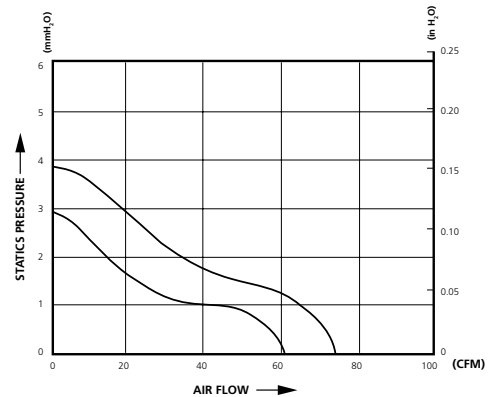
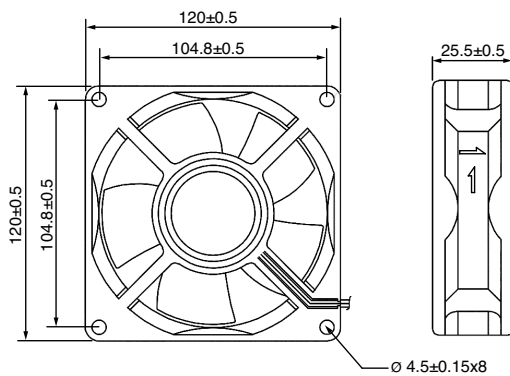


MODEL	RATED VOLTAGE VDC	INPUT POWER W	RATED CURRENT A	BEARINGS	SPEED RPM	AIR FLOW CFM	MAX. PRESSURE mmH <sub>2</sub> O	NOISE dB	APPROVAL
CFA129225LS	12	1.92	0.16	Sleeve	2000	41.5	2.3	28	
CFA129225MB	12	2.4	0.2	Ball	2500	50.5	3.5	34	
CFA129225MS	12	2.4	0.2	Sleeve	2500	50.5	3.5	34	
CFA249225MS	24	3.36	0.14	Sleeve	2500	50.5	3.5	34	

### 120 x 120 x 25mm (4.7 x 4.7 x 1")



CFA2412025MS



MODEL	RATED VOLTAGE VDC	INPUT POWER W	RATED CURRENT A	BEARINGS	SPEED RPM	AIR FLOW CFM	MAX. PRESSURE mmH <sub>2</sub> O	NOISE dB	APPROVAL
CFA1212025LS	12	1.68	0.14	Sleeve	2000	61.4	2.9	38	
CFA1212025MB	12	3	0.25	Ball	2500	74.5	3.8	43.84	
CFA1212025MS	12	3	0.25	Sleeve	2500	74.5	3.8	43.84	
CFA2412025MS	24	4.32	0.18	Sleeve	2500	74.5	3.8	43.84	