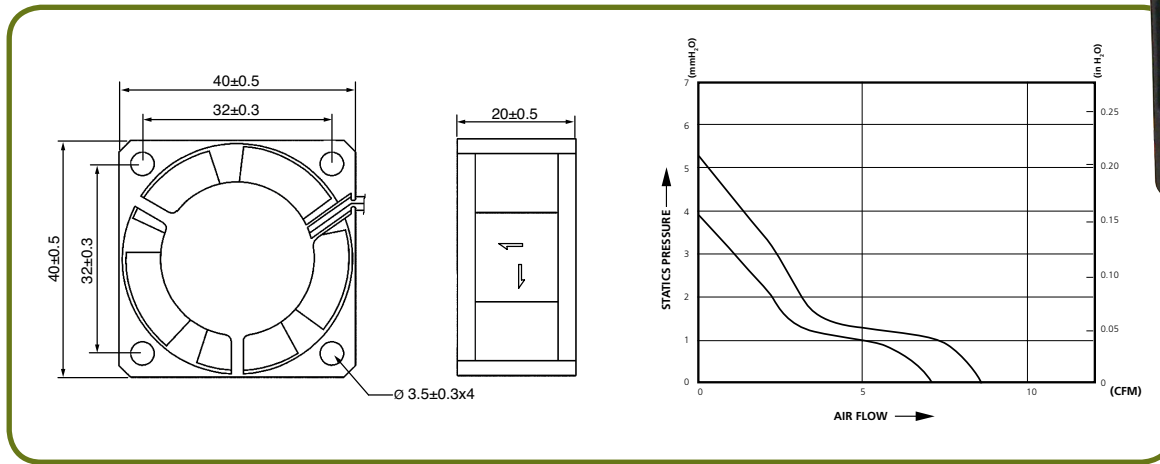


## DC FANS

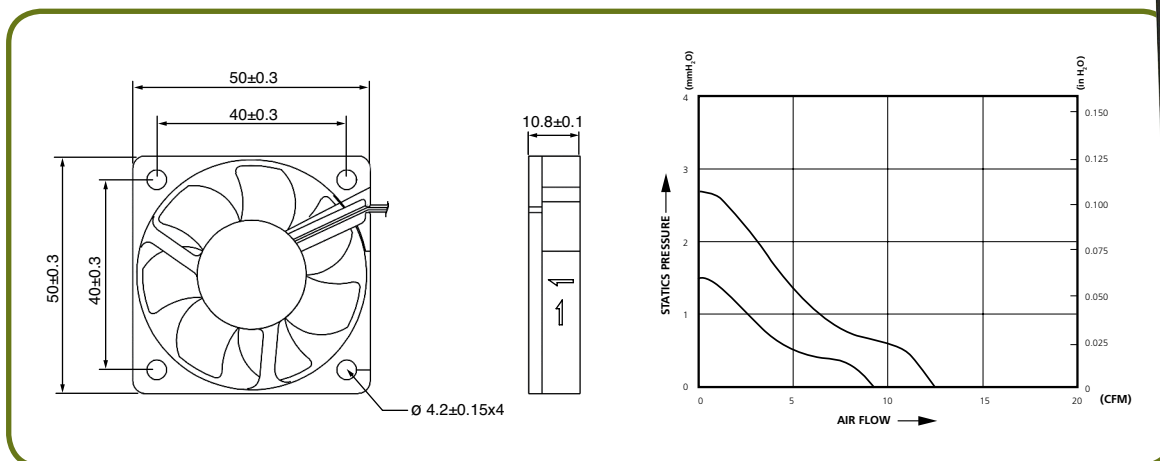
### 40 x 40 x 20mm (1.57 x 1.57 x 0.79")



CFA124020MS

MODEL	RATED VOLTAGE VDC	INPUT POWER W	RATED CURRENT A	BEARINGS	SPEED RPM	AIR FLOW CFM	MAX. PRESSURE mmH <sub>2</sub> O	NOISE dB	APPROVAL
CFA124020HS	12	1.92	0.16	Sleeve	7000	8.5	5.31	31	
CFA124020MB	12	1.2	0.10	Ball	6000	7.09	3.91	26	
CFA124020MS	12	1.2	0.10	Sleeve	6000	7.09	3.91	26	
CFA244020MS	24	3.12	0.13	Sleeve	6000	7.09	3.91	26	

### 50 x 50 x 10mm (1.97 x 1.97 x 0.39")



CFA125010MS

MODEL	RATED VOLTAGE VDC	INPUT POWER W	RATED CURRENT A	BEARINGS	SPEED RPM	AIR FLOW CFM	MAX. PRESSURE mmH <sub>2</sub> O	NOISE dB	APPROVAL
CFA125010HS	12	1.92	0.16	Sleeve	5500	12.2	2.54	32	
CFA125010MS	12	1.20	0.10	Sleeve	4000	8.79	1.46	29	