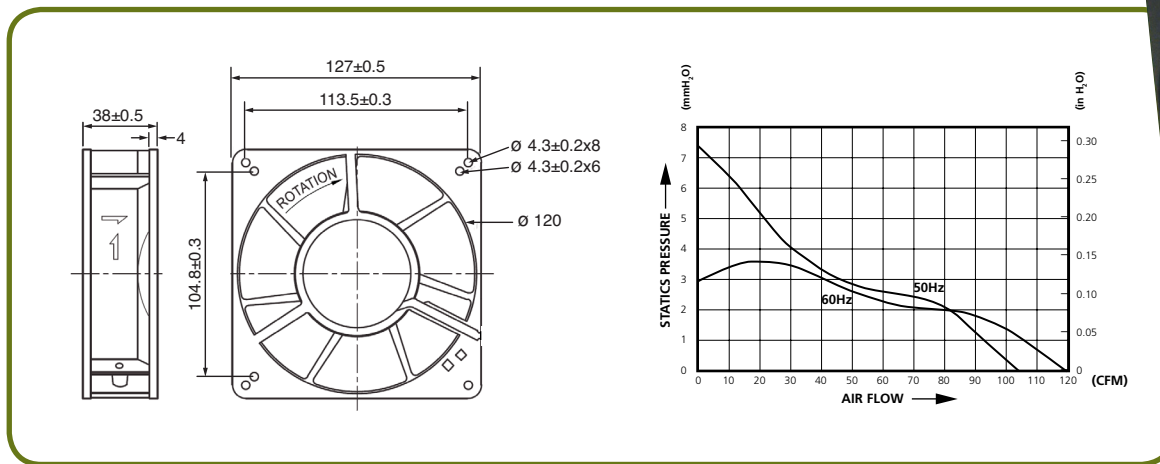


AC FANS

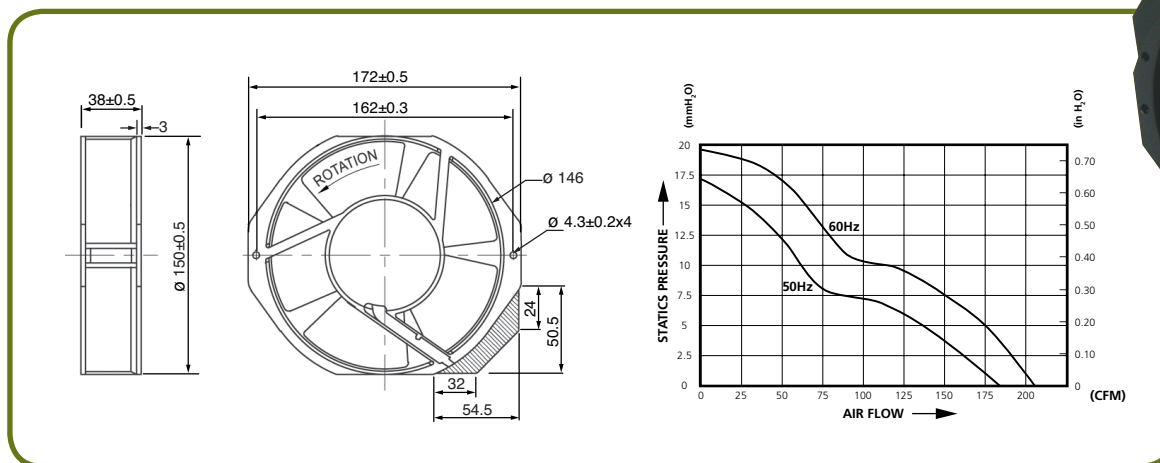
127 x 127 x 38mm (5.0 x 5.0 x 1.5") Plastic Impeller



CFB11512738HB

MODEL	RATED VOLTAGE VAC	FREQUENCY Hz	INPUT POWER W	RATED CURRENT A	BEARINGS	SPEED RPM	AIR FLOW CFM	MAX. PRESSURE mmH ₂ O	NOISE dB	CONNECTION	APPROVAL
CFB11512738HB	115	60	12	0.16	Ball	3000	120	2.8	50	Terminals	UL US
CFB23012738HB	230	50/60	17/15	0.10/0.09	Ball	2700/3000	103/120	7.3/2.8	46/50	Terminals	UL US

150 x 172 x 38mm (5.9 x 6.8 x 1.5") Plastic Impeller



CFB11515038HB

CAPACITOR INDUCTION MOTOR

THERMAL PROTECTION

MODEL	RATED VOLTAGE VAC	FREQUENCY Hz	INPUT POWER W	RATED CURRENT A	BEARINGS	SPEED RPM	AIR FLOW CFM	MAX. PRESSURE mmH ₂ O	NOISE dB	CONNECTION	APPROVAL
CFB11515038HB	115	60	28	0.23	Ball	3400	212	19	58	Terminals	UL US
CFB23015038HB	230	50/60	27/26	0.11/0.11	Ball	2850/3400	177/212	17/19	54/58	Terminals	UL US