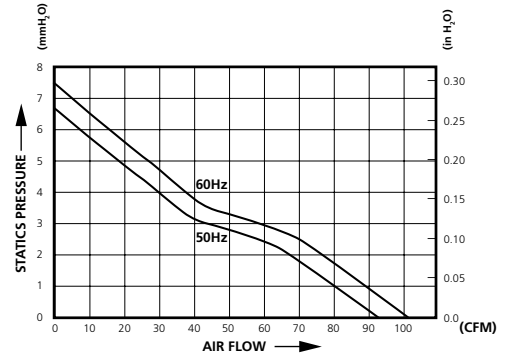
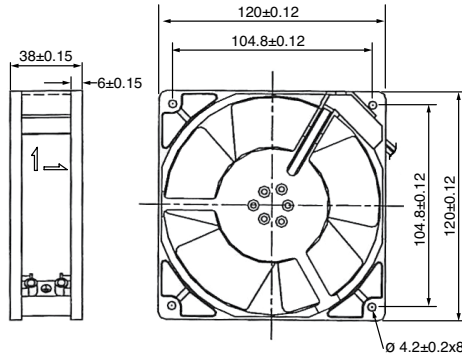


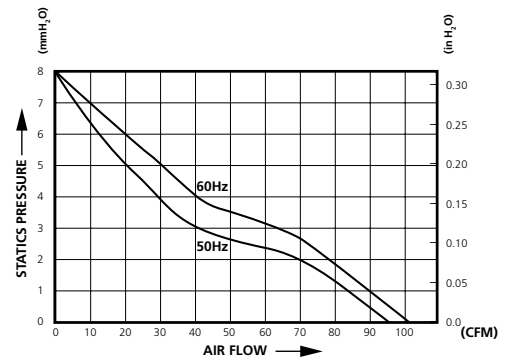
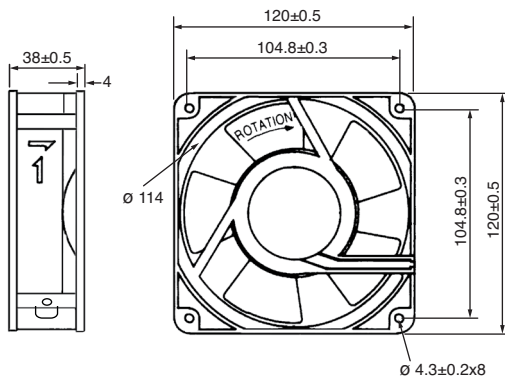
## AC FANS

### 120 x 120 x 38mm (4.7 x 4.7 x 1.5") Metal Impeller



MODEL	RATED VOLTAGE VAC	FREQUENCY Hz	INPUT POWER W	RATED CURRENT A	BEARINGS	SPEED RPM	AIR FLOW CFM	MAX. PRESSURE mmH <sub>2</sub> O	NOISE dB	CONNECTION	APPROVAL
CFA11512038HB	115	60	22	0.24	Ball	3000	105	7.4	46	Terminals	
CFA11512038HBW	115	60	22	0.24	Ball	3000	105	7.4	46	Wire Leads	
CFA11512038HS	115	60	22	0.24	Sleeve	3000	105	7.4	46	Terminals	
CFA11512038LB	115	60	19	0.2	Ball	1700	58	2.7	30	Terminals	
CFA23012038HB	230	50/60	22/21	0.14/0.13	Ball	2700/3000	92/105	6.7/7.4	42/46	Terminals	
CFA23012038HS	230	50/60	22/21	0.14/0.13	Sleeve	2700/3000	92/105	6.7/7.4	42/46	Terminals	

### 120 x 120 x 38mm (4.7 x 4.7 x 1.5") Plastic Impeller



MODEL	RATED VOLTAGE VAC	FREQUENCY Hz	INPUT POWER W	RATED CURRENT A	BEARINGS	SPEED RPM	AIR FLOW CFM	MAX. PRESSURE mmH <sub>2</sub> O	NOISE dB	CONNECTION	APPROVAL
CFB11512038HB	115	60	12	0.16	Ball	3100	105	8	46	Terminals	
CFB11512038HS	115	60	12	0.16	Sleeve	3100	105	8	46	Terminals	
CFB23012038HB	230	50/60	17/15	0.10/0.08	Ball	2700/3100	95/105	8/8	42/46	Terminals	
CFB23012038HS	230	50/60	17/15	0.10/0.08	Sleeve	2700/3100	95/105	8/8	42/46	Terminals	