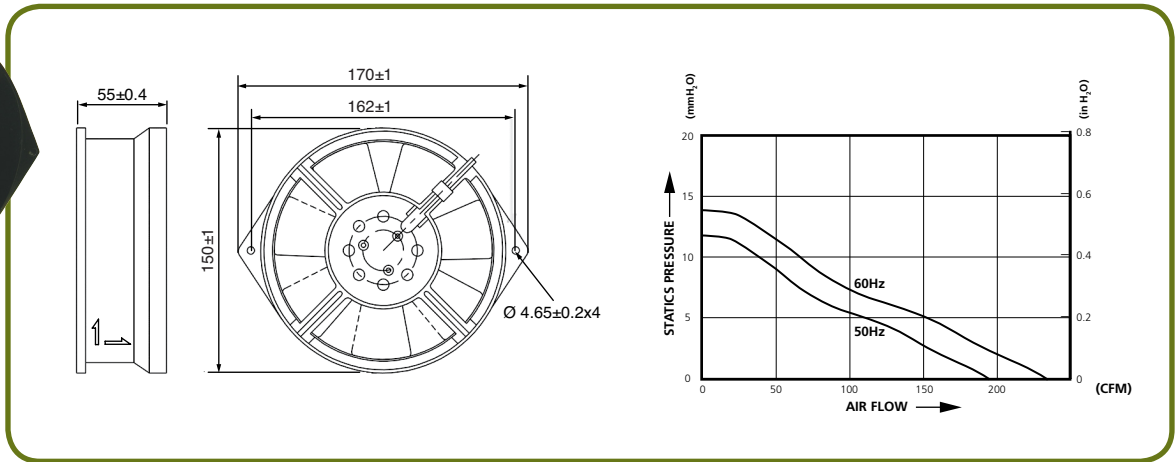


AC FANS

150 Ø x 55mm (5.9 x 2.2") Plastic Impeller



CFA11515055HB

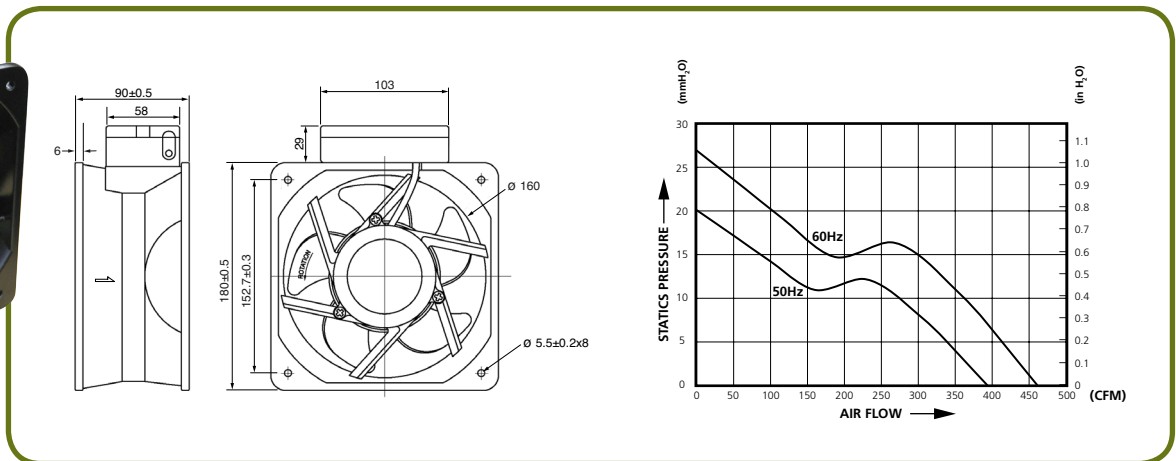


MODEL	RATED VOLTAGE VAC	FREQUENCY Hz	INPUT POWER W	RATED CURRENT A	BEARINGS	SPEED RPM	AIR FLOW CFM	MAX. PRESSURE mmH ₂ O	NOISE dB	CONNECTION	APPROVAL
CFA11515055HB	115	60	42	0.54	Ball	3400	230	13.7	53	Wire Leads	UL, CE
CFA23015055HB	230	50/60	46/40	0.28/0.24	Ball	2850/3400	190/230	12.3/13.7	50/53	Wire Leads	UL, CE

180 x 180 x 90mm (7.125 x 7.125 x 3.6") Plastic Impeller



CFA11518090HB



CAPACITOR INDUCTION MOTOR

THERMAL PROTECTION

MODEL	RATED VOLTAGE VAC	FREQUENCY Hz	INPUT POWER W	RATED CURRENT A	BEARINGS	SPEED RPM	AIR FLOW CFM	MAX. PRESSURE mmH ₂ O	NOISE dB	CONNECTION	APPROVAL
CFA11518090HB	115	60	72	0.63	Ball	3400	460	27	59	Terminals	UL, CE
CFA23018090HB	230	50/60	75/72	0.42/0.31	Ball	2850/3400	390/460	20/27	54/59	Terminals	UL, CE